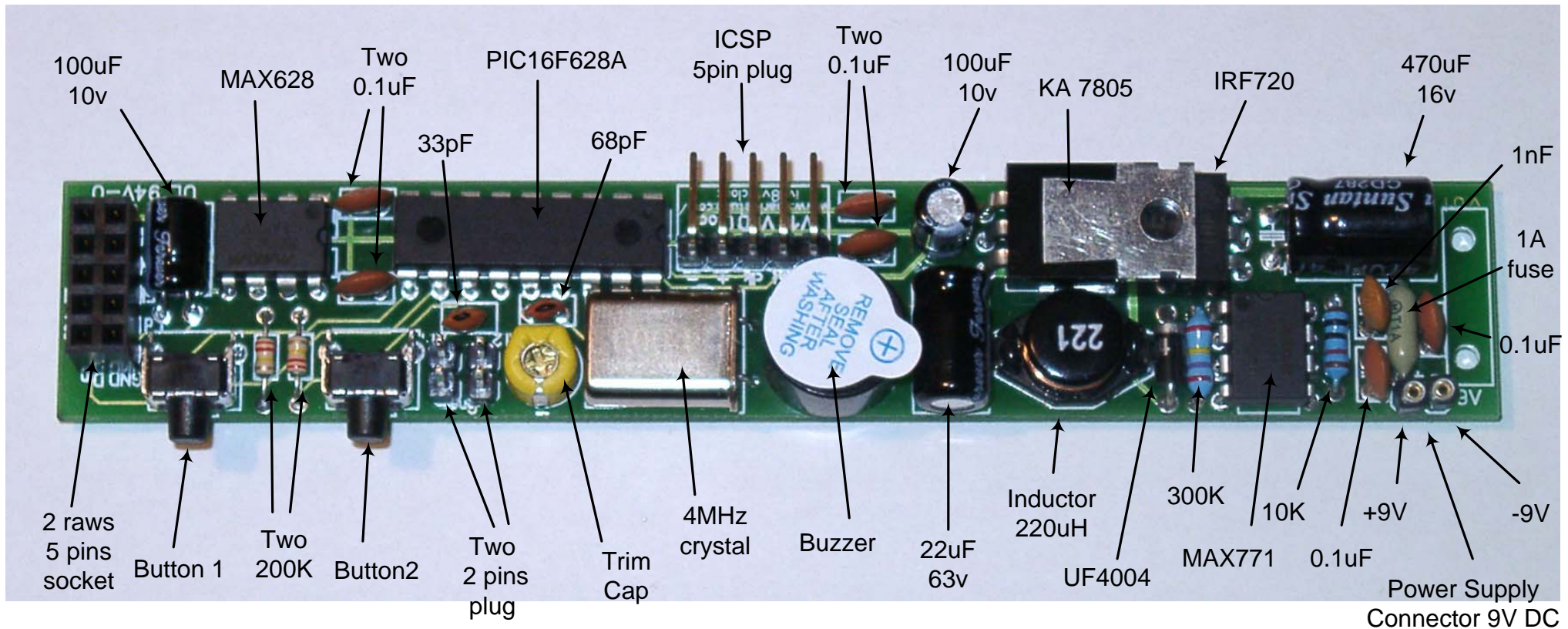


## IV18 VFD Clock assembling microcontroller main board

### Warning!

- Do not mix polarity, as it could destroy your IV-18 Clock
- Use only approved and certified Wall Plug Power Supply module
- Power supply with less than 150mA output is not recommended.
- Less than 9V or more than 12V power supply is not advised.



### Notice

- Electrolytic capacitors should be soldered with correct polarity, search for + signs on the PCB
- UF4004 diode silver ring should match white line of its drawing on the PCB
- Buzzer polarity is not marked on the PCB, but it should be inserted and soldered as shown
- Pin number one is clearly marked on the PCB and it should be matched by square solder pad

### Warning!

- Do not mix polarity, as it could destroy your IV-18 Clock