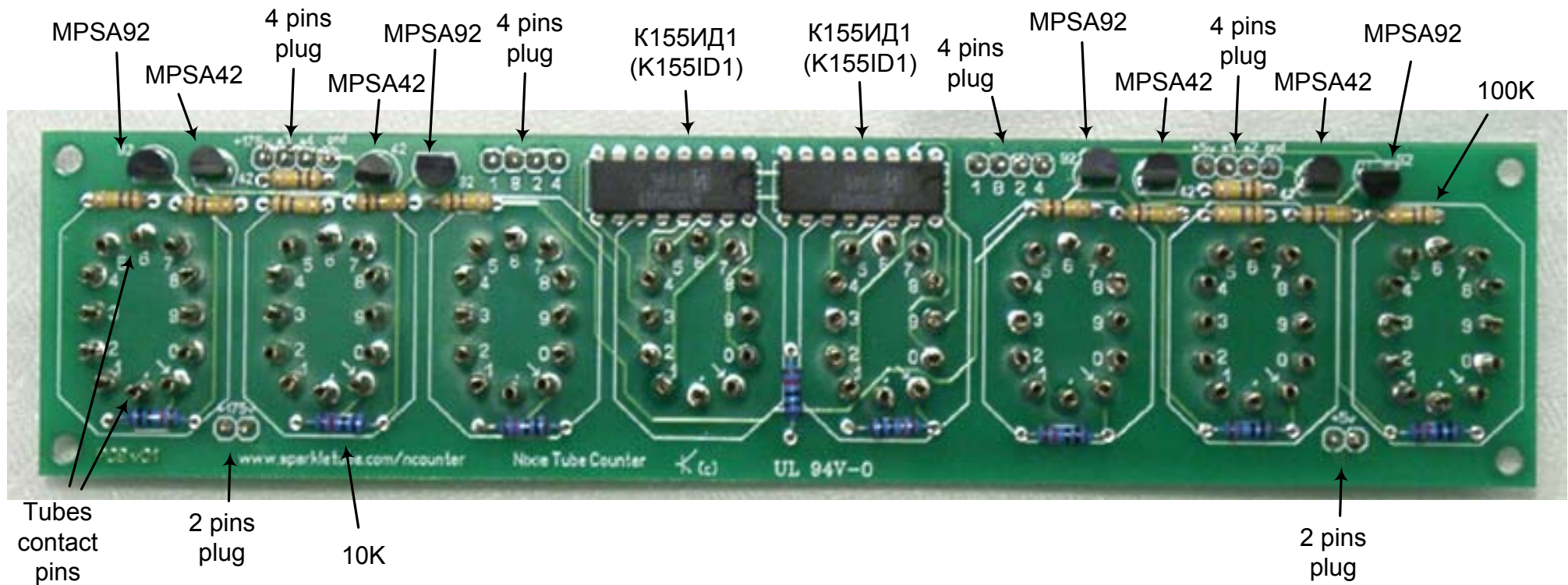


IN-12 Nixie Clock/Counter assembling tubes board v.01

Please note

- All yellow body resistors in the upper part of PCB are 100K
- All blue body resistors in the lower part of PCB are 10K
- Power supply with less than 300mA output is not recommended.
- Less than 9V or more than 12V power supply is not advised.



IN-12 Nixie Clock/Counter assembling tubes board v.01

